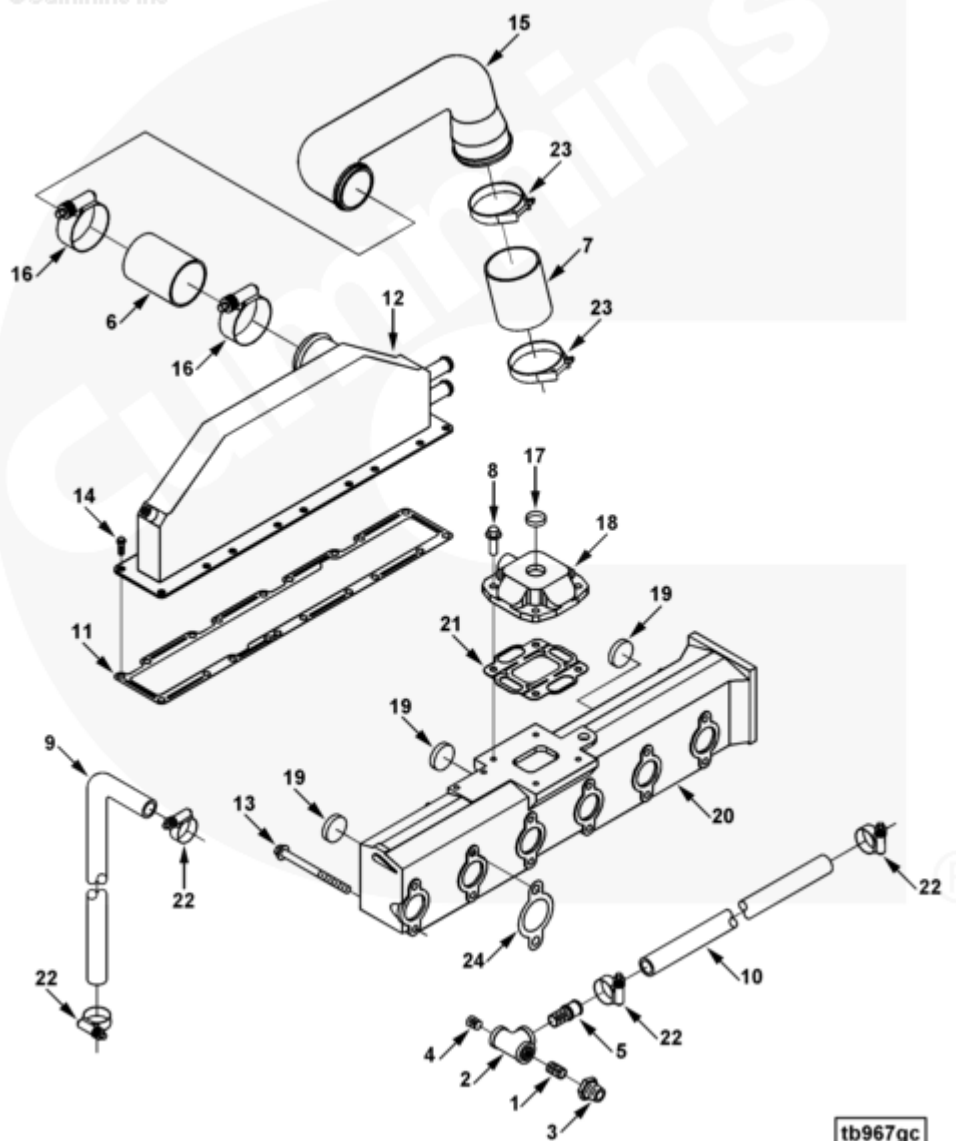




# Parts Catalog - Option Detail

Electronic Parts Catalog - Option Detail				
Option	Group	Graphic	Film Card	Date
TB9091-01	10.06.1	tb967gc	Z	14-DEC-96
<b>Engines</b>	6C8.3, C GAS PLUS CM556, G8.3, G8.3 CM558, GTA8.3 CM558, ISC CM2150, ISC CM554, ISC CM850, ISC8.3 CM2250, ISC8.3 G CM2180 C101, ISL CM2150, ISL CM554, ISL CM850, ISL G CM2180, ISL8.9 CM2150 L110, ISL8.9 CM2880 L112, ISL9 CM2150 SN, ISL9 CM2250, ISL9 CM2350 L101, ISL9 CM2350 L111, ISLE4 CM850, L GAS PLUS CM556, L8.9, L8.9 L121, L8.9G CMOH2.0 L125B, L9 CM2350 L116B, L9 CM2350 L119B, L9 CM2350 L120C, L9 CM2350 L123B, L9.3 L105, L9.5 L117, L9N CM2380 L124B, QSC8.3 CM2250, QSC8.3 CM2880 C102, QSC8.3 CM554, QSC8.3 CM850(CM2850), QSL9 CM2250, QSL9 CM2250 L115, QSL9 CM2350 L102, QSL9 CM2350 L107, QSL9 CM2350 L118, QSL9 CM2350 L122, QSL9 CM554, QSL9 CM850(CM2850), QSL9 G CM558, QSL9 M CM2250 L106, QSL9.3 CM2880 L113			



tb967gc

Cart	Ref No	Part Number	Part Description	Required	Remarks
<a href="#">View My Cart</a>					
		<a href="#">TB9091-01</a>	Turbocharger Location		<a href="#">MR - LOCATION, TURBOCHARGER... (More)</a>
					Engine Family: C Series
					Marine
					For Rear Mount Turbocharged,
					Aftercooled C Series Marine
					Engines With Wet Exhaust
					Manifold and Turbo Which Are
					Rated Above 1800 RPM
					Exhaust Out Starboard Side
					Aftercooler 3924732 With
					Three Bond 1207D Sealant,
					Applied as Specified in NEBS,
					Can be Substituted for
					Aftercooler 3914502 Plus
					Gasket 3914311
<input type="checkbox"/>	1	<a href="#">S 920</a>	Plain Pipe Nipple	1	
<input type="checkbox"/>	2	<a href="#">S 960</a>	Female Pipe Tee	1	
<input type="checkbox"/>	3	<a href="#">S 982</a>	Reducing Pipe Bushing	1	3/4 NPTF(Ext) x 1/2 NPTF(Int)
<input type="checkbox"/>	4	<a href="#">3008468</a>	Pipe Plug	1	1/2 NPT.
<input type="checkbox"/>	5	<a href="#">3283227</a>	Plain Hose Coupling	1	
<input type="checkbox"/>	6	<a href="#">3897502</a>	Plain Hose	1	
<input type="checkbox"/>	7	<a href="#">3897507</a>	Plain Hose	1	
<input type="checkbox"/>	8	<a href="#">3903112</a>	Hexagon Flange Head Cap Screw	4	M10 X 1.50 X 30.
<input type="checkbox"/>	9	<a href="#">3905082</a>	Plain Hose	1	
<input type="checkbox"/>	10	<a href="#">3913724</a>	Plain Hose	1	
<input type="checkbox"/>	11	<a href="#">3914311</a>	Intake Manifold Cover Gasket	1	

<input type="checkbox"/>	12	<a href="#">3914502</a>	Aftercooler	1	
<input type="checkbox"/>	13	<a href="#">3916518</a>	Hexagon Flange Head Cap Screw	8	M10 X 1.50 X 125.
<input type="checkbox"/>	14	<a href="#">3918109</a>	Hexagon Flange Head Cap Screw	18	M8 x 1.25 x 25
<input type="checkbox"/>	15	<a href="#">3918500</a>	Air Tube	1	
<input type="checkbox"/>	16	<a href="#">3918521</a>	Hose Clamp	2	59 - 83mm
<input type="checkbox"/>		<a href="#">3920946</a>	Water Transfer Connection	1	
<input type="checkbox"/>	17	<a href="#">3007636</a>	Expansion Plug	1	
	18	<a href="#">3920945</a>	Water Transfer Connection	1	
		<a href="#">3921482</a>	Exhaust Manifold	1	
<input type="checkbox"/>	19	<a href="#">3908092</a>	Expansion Plug	3	
	20	<a href="#">3921481</a>	Exhaust Manifold	1	
<input type="checkbox"/>	21	<a href="#">3921926</a>	Turbocharger Gasket	1	
<input type="checkbox"/>	22	<a href="#">3922842</a>	Hose Clamp	4	
<input type="checkbox"/>	23	<a href="#">3922850</a>	Hose Clamp	2	
<input type="checkbox"/>	24	<a href="#">3929012</a>	Exhaust Manifold Gasket	6	